

2021

TZJ[2021]08



	10		
			dyjs@ dyjs.com
	2016 57		
	2012	GB/T2589-2020	2021
	PAS2050:2011		
	ISO/TS14067:2013		
	2022 4		
/			
t-CO ₂ e	2021	6885.92t	
		0.98tCO ₂ /t	
2021	6885.92t		0.98tCO ₂ /t

	1
1.1	PCF	1
1.2	2
1.3	4
2.	5
2.1	5
2.2	6
2.3	7
2.4	8
3.	10
3.1	10
3.1.1	10
3.1.2	10
3.1.3	11
3.1.4	19
3.1.5	20
3.1.6	21
3.1.7	21
3.1.8	22
3.1.9	23
3.2	23
3.2.1	23
3.2.2	26
3.2.3	27
3.3	31

3.4	31
4.	32
4.1	32
4.2	32
4.3	32

1.

1.1 PCF

"

"

Product

Carbon Footprint,PCF

)

CO₂

CH₄

CN₂O

HFC

PFC

NF₃

CO₂e

kgCO₂e

gCO₂e

Global Warming Potential

GWP

)

LCA

LCA

PA S2050-2011

BSD

CarbonTrust

Defra

World Resources Institute

WRI

ISO/TS14067:2013

PAS2050

ISO

1.2

PAS2050:2011

2016 57

2021

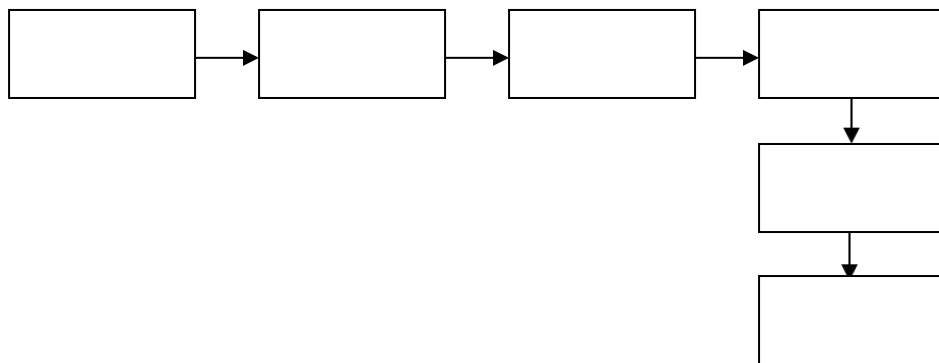
/ PVC/PE

2021 1 1 2021 12 31

PA S2050
BusinessrfB2C(Business-to-Consumer

B2B(Business-to-

" "



1.3

PAS2050:2011

ISO/TS14067:2013

2016 57

2021

2012

GB/T2589-2020

2021

2.

2.1

2-1

2-1

2022.4.25		3		9 30	4 00
2022.4.25		1			
		2		9 30	4 00
		3			

3

2021

2.3

CF

P

Q

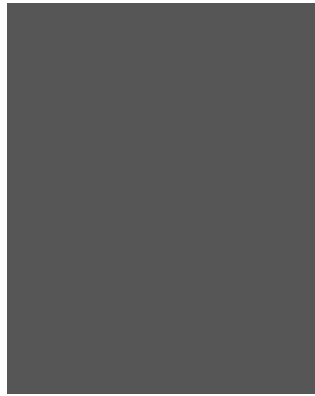
GWP

GWP

1

C

2-2



2-3

1			
2			
3			
4			
5			

2-4

1				
2				

3.

3.1

2021

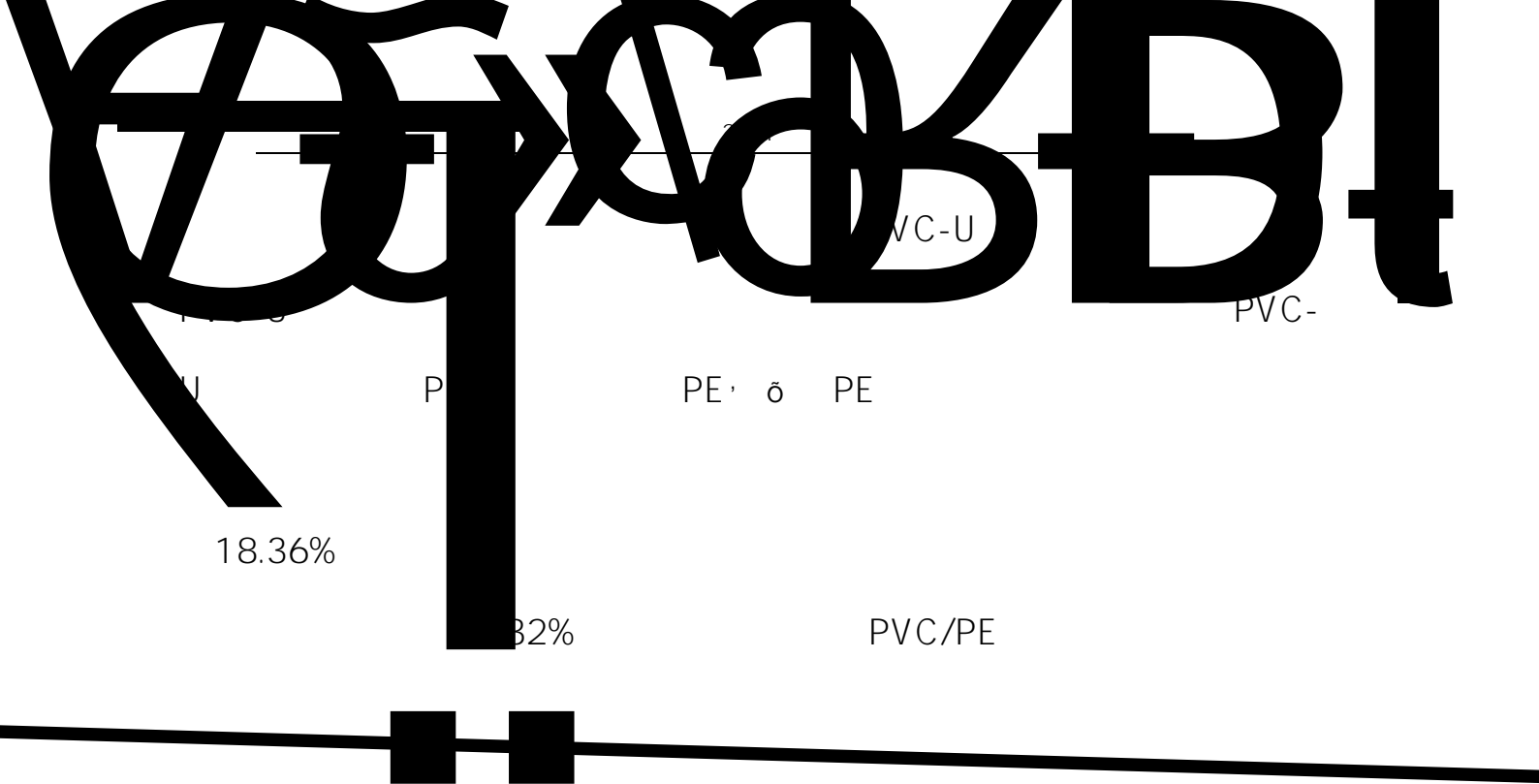
2021

1

2

3.1.3

3.1.3.1



3-2 2019 -2021

t	2019	2020	2021
	11097.6	7110.22	7034.19

3.1.3.3

PE

170

VOC

+

I 15m

P



1

175

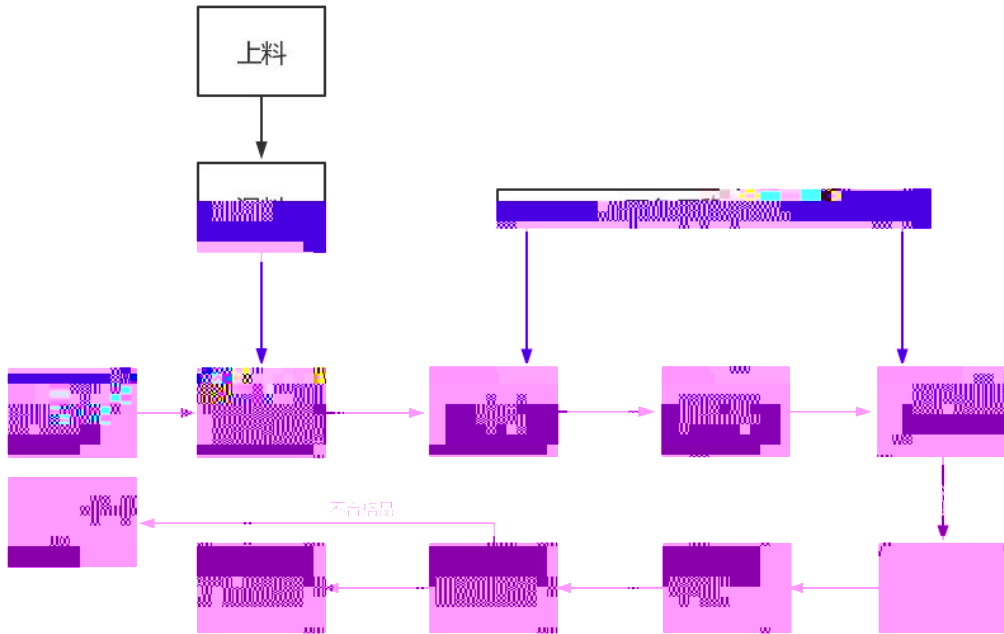
VOCs

16

16

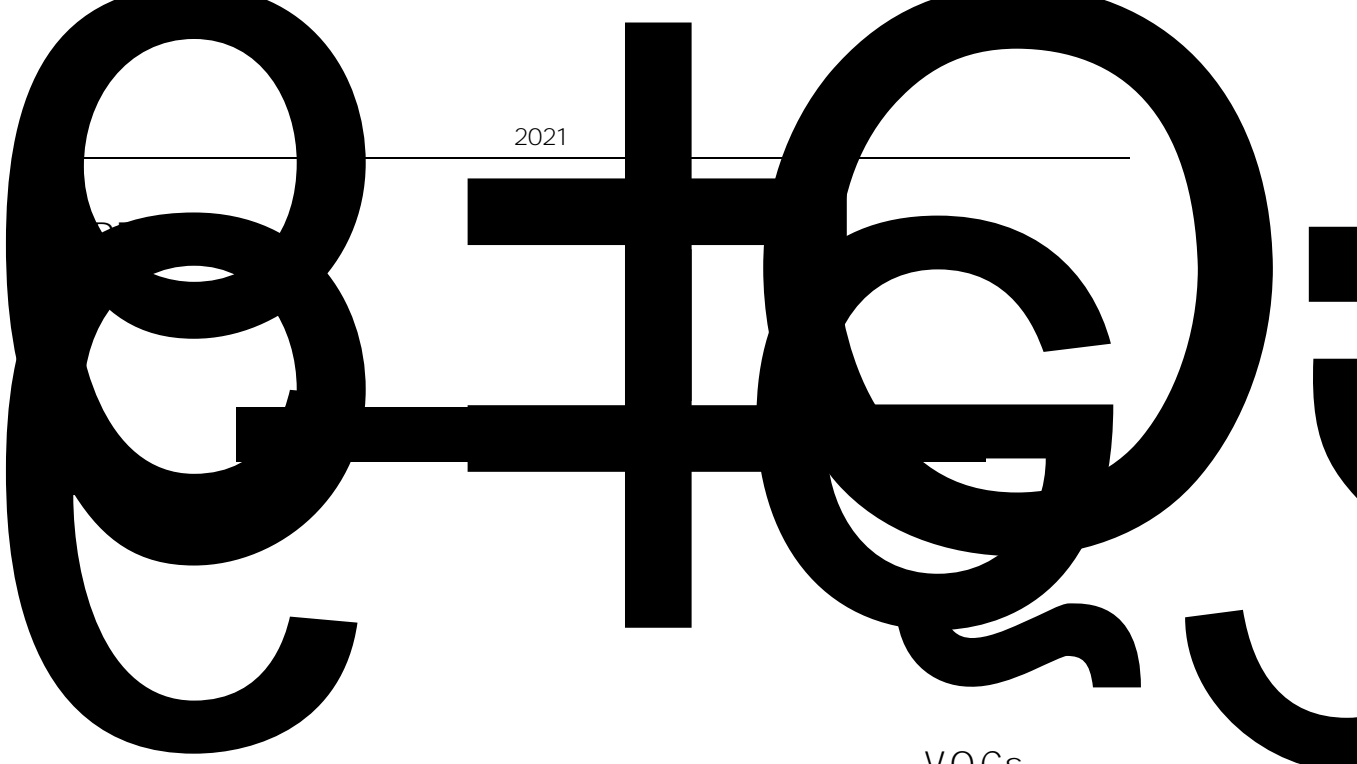
+ 8
+ 8
+ 1 15m P
+ 1 15m P2
PE

PE

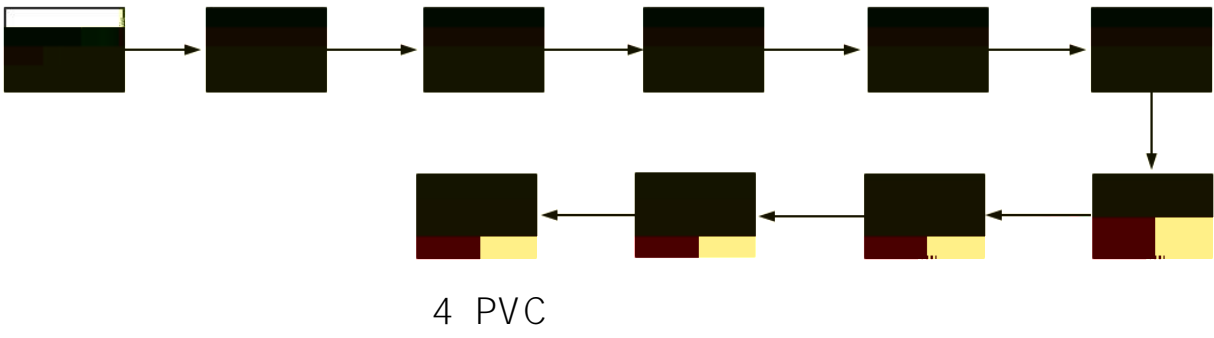
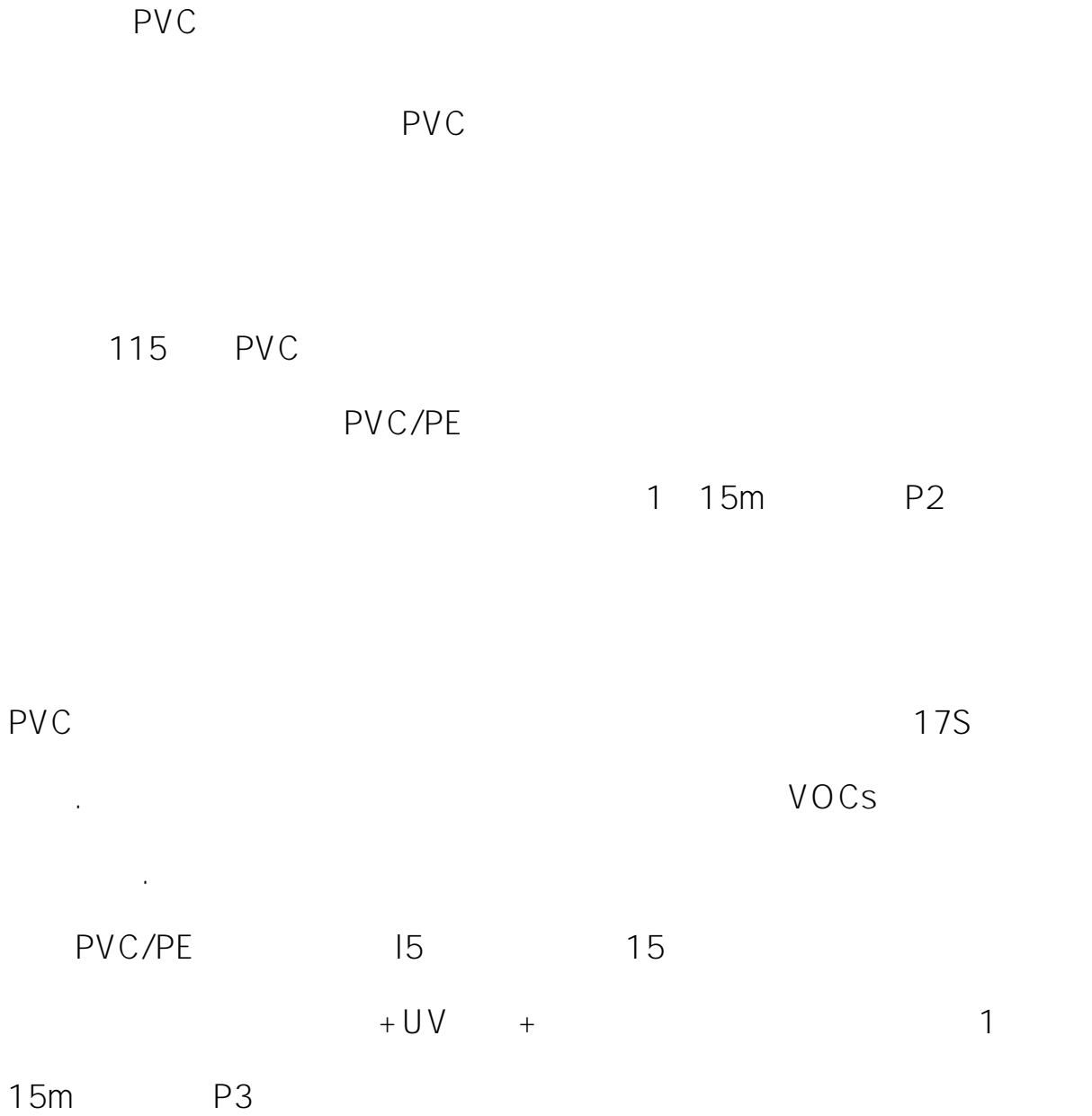


2

2021



VOCs



3

PVC/PE

30cm

1

15m

P7

× ×

6m × 4m × 3m

8000m³/h

10000m³/h

1 15m

P5

PVC/PE

PVC/PE

PVC/PE

$$\times \times 4\text{m} \times 3\text{m} \times 3\text{m}.$$

$$10000\text{m}^3/\text{h}$$

3.1.4

2021

3367t

2021

3-4 2021

	kWh	776.27				1.229
	t	6.79				1.4571
	tce	963.93				/

2021

2021

2021

3.1.5

2021

3-7

2021

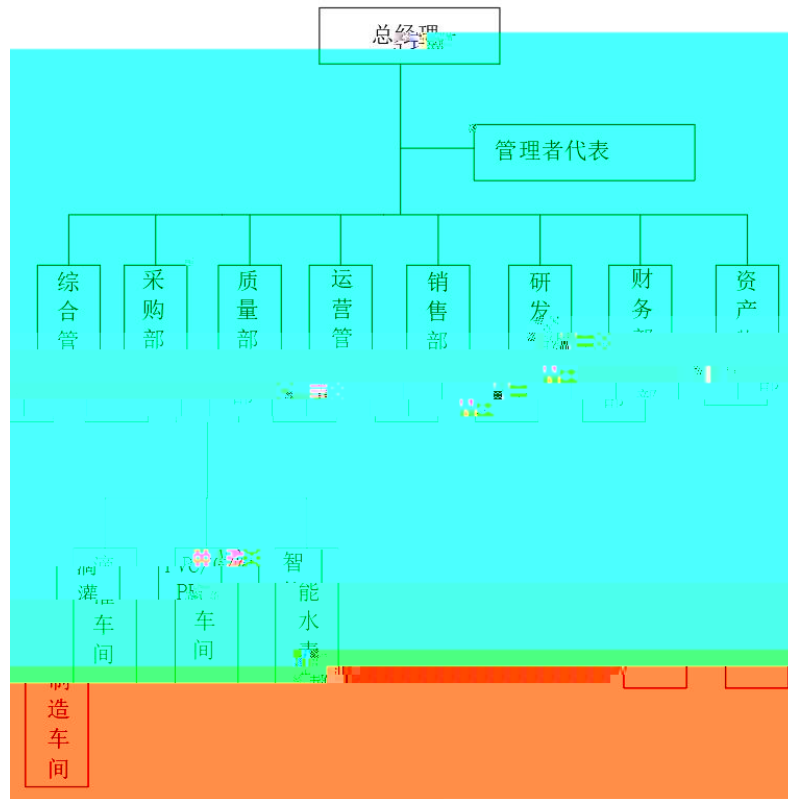
		2021	
		12921.20	

3.1.6

2021

3.1.7

10



3-4

3.1.8

3.2.1.1

3-9 2021

6. 79t

2021

6. 79t

2021

/

1 2021

2 2021

2021

2021

2021

2021

2021

2021

3.2.1.2

3-10 2021

	776.27 kWh		2021
	776.27 kWh		2021
	/		
	1 2021		
	2 2021		
	2021	2021	2021
	776.27 kWh 2021		
	776.27 kWh		
	776.27 kWh	2021	2021
	2021	2021	
	2021		

3.2.2.2

3-12

	tCO ₂ /MWh	
	0.8843	2012 -

3.2.3

3-13 2021

CO₂

							t-C/GJ		%		CO ₂ t
		t	6.79		GJ/10	43.33		0.02020 0		98%	21.36
											21.36

3-14 2021

CO₂

MWh		tCO ₂ /MWh	CO ₂ t
	8003	0.8843	6864.56

3-15 2021

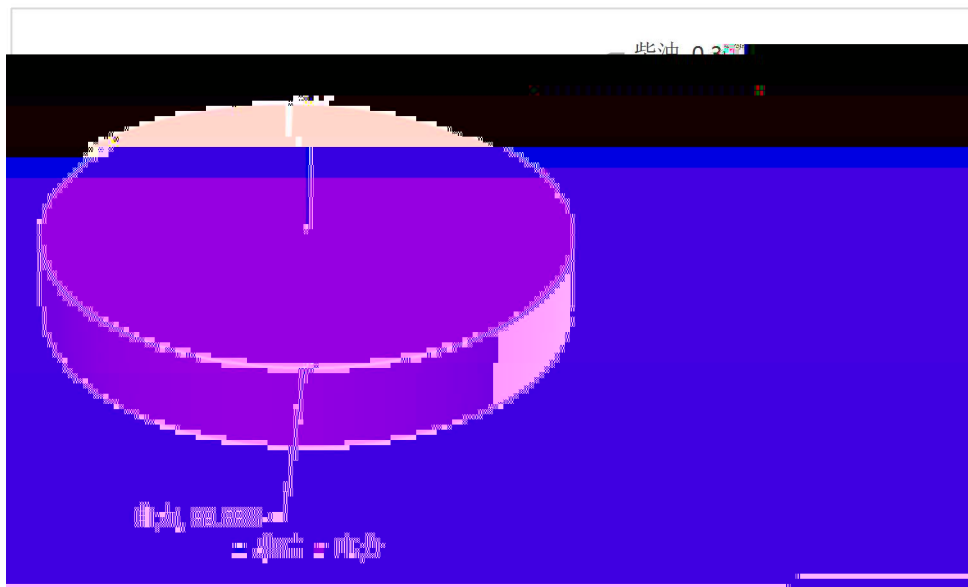
			tCO ₂	%
CF	1		/	/
	2		6885.92	100%
	3		/	/
	4		/	/
	5		/	/
	6		/	/
				6885.92

3-16 2021

		tCO ₂	t	CO ₂ /t
1	2021	6885.92	7034.19	0.98

3-17 2021

			tCO ₂	
CF	1		21.36	0.31%
	2		6864.56	99.69%
			6885.92	100.00%



2021

3.3

2021 7 1

3.4

4.

4.1

2021

PAS2050

4.2

2021

6885.92t

0.98tCO₂/t

4.3

